

# Tablet Feeder

## Model 100

### The Simple, Reliable Way to Disinfect Wastewater

The Exceltec International Corporation (EIC) Model 100 Tablet Feeder is a complete, one-piece system for highly reliable disinfection of treated effluent from any sewage plant having a designed capacity of 10,000 GPD or less. The tablet feeder is used in conjunction with SANURIL® tablets, a disinfecting agent that provides a chemically stable source of chlorine for wastewater disinfection.

The EIC Tablet Feeder can be installed in existing treatment plants where wastewater chlorination is being added or to replace troublesome, unreliable or complicated chlorination systems. It is equally suitable for factory assembly into new package plants. Typical installations have included a wide range of sites such as:

- Restaurants
- Trailer Parks
- Service Stations
- Camping Facilities
- Small Industrial Plants
- Highway Rest Stops
- Recreation Parks
- Drilling Platforms
- Schools
- Many other applications

### Superior Performance at a Lower Cost

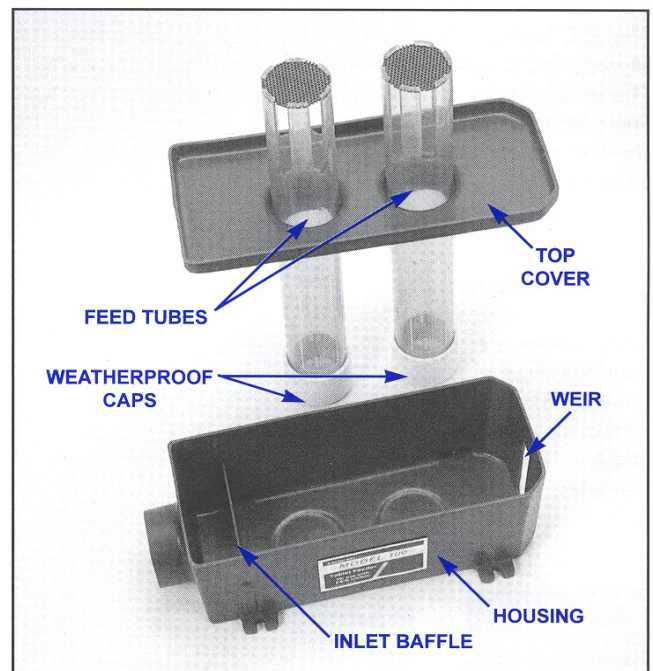
**Better Performance** -- The entire plant flow passes through the feeder where thorough mixing of wastewater with a controlled amount of chlorine takes place. This means more effective disinfection action and less bacteria re-growth.

**Low Initial Cost** -- In addition to low investment in the EIC Tablet Feeder, savings are compounded because no pumps, mixing tanks or costly control devices are required as with most other chlorination systems.

**Simple, Low-Cost Installation** -- One piece tablet feeder construction requires only inlet piping. No electrical power, wiring, bypasses, or other piping required.

**Lower Operating Costs** -- The tablet feeder can operate up to 60 days without refill. No time-consuming mixing of chemicals or costly cylinder handling. Refilling SANURIL tablets is quick and easy. No costs for electrical power or auxiliary power.

**Maintenance Free Operation** -- No tanks, pumps, cylinders, external control devices or other moving parts to break down. System is non-mechanical, rust and corrosion proof.



## Operating Principle

The EIC Tablet Feeder is a one-piece system which operates on the flow-through principle to provide a constant, controlled dosage of chlorine to the effluent of wastewater treatment plants.

The entire flow of treated wastewater passes into the tablet feeder through the inlet pipe. As the stream of water flows past the feed tubes containing the SANURIL tablets, active chlorine is released into the wastewater by the dissolving action of the water stream in contact with the tablets.

At the outlet end, a weir controls the water level in the tablet feeder which then automatically controls the wastewater flows. As the incoming flow rate increases, the water level in the tablet feeder rises, immersing a greater number of SANURIL tablets. When the incoming flow decreases, the water level in the tablet feeder drops, exposing fewer tablets to the water. Since the amount of SANURIL dissolved depends on the number of tablets immersed in the water, the chlorine concentration remains constant, regardless of the rate of water flow through the feeder.

The chlorinated wastewater then flows into the chlorine contact tank where it is held for the required time to permit effective bacteria killing action.

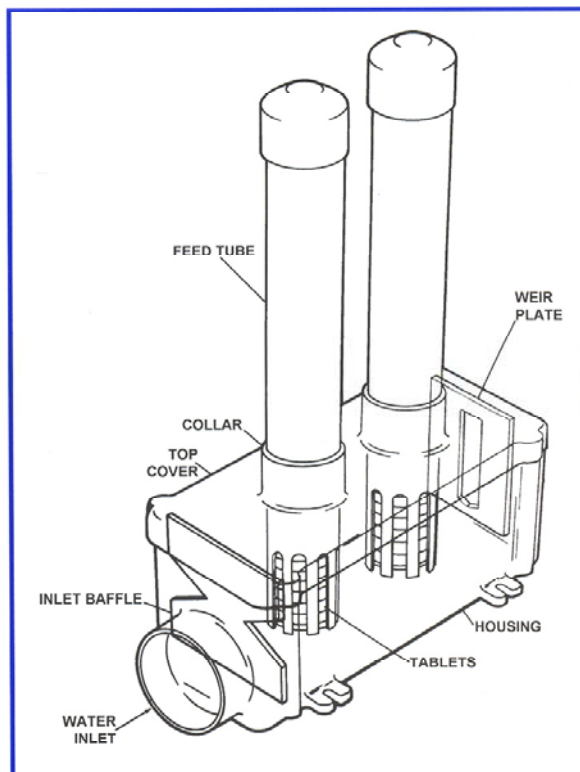
Each tablet feeder is furnished with two feed tubes. The number of tubes to be filled with SANURIL tablets is determined by the average daily flow rate and the required residual chlorine content or dosage.

## Installation

The EIC Tablet Feeder is designed for installation in any sewage plant having sufficient space to permit mounting. The tablet feeder can be located on or preceding the chlorine contact tank as near as possible to the inlet so as to channel entire plant flow through the tablet feeder before it enters the chlorine contact tank.

## Specifications

The tablet feeder is made of tough, corrosion resistant rotomolded polyethylene. Compact and easy to handle, the tablet feeder measures 21 inches long, 8 inches wide and 9 inches deep. The feed tubes are 24 inches long with an outside diameter of 3 1/2 inches. Each tube holds 29 SANURIL tablets which measure 2-5/8 inches in diameter and are 13/16 of an inch thick. Inlet pipe size is 4 inches in diameter.



## Other Applications

In addition to wastewater chlorination, the Model 100 Tablet Feeder can also be used for dechlorination and the chlorination of drinking water. For dechlorination, the Model 100 is used in conjunction with the EIC D-CHLOR™ tablets. These tablets are a sodium sulfite based formulation having compatible dimensions for use in the EIC Model 100 Tablet Feeder.

For drinking water chlorination, the Model 100 is used in conjunction with the EIC AQUAWARD® chlorinating tablets. The AQUAWARD tablets are a calcium hypochlorite based formulation also having dimensions compatible for use in the EIC Model 100 Tablet Feeder. This system is ideal for open channel flow operation and/or remote installations where other methods of disinfection are not practical or economical.

For additional information and literature on the D-CHLOR and AQUAWARD Systems, please contact the Sales Department.

SEVERN

TRENT

SERVICES

EXCELTEC

1110 Industrial Boulevard • Sugar Land, Texas 77478  
Telephone: 800 621 9189 or 281 240 6770  
Fax: 281 240 6762 • E-Mail: exceltec@sanilec.com

EIC-6302 PR 9/00

Distributed by Pollution Control Systems, Inc. Milford, Ohio 45150 513-831-1165